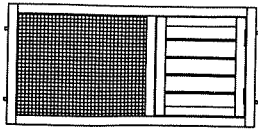
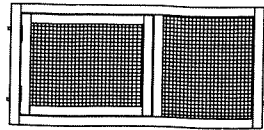


# Konijnenhok Binky Assembly Instructions

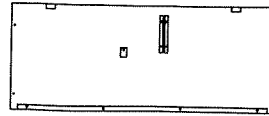
dsp international b.v.



1x top front panel



1x bottom front panel



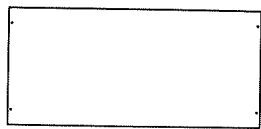
1x bottom back panel

(A)  M3.5X45  
8+1

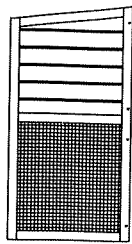
(B)  M3.5X30  
8+1

(C)  M3.0X16  
4+1

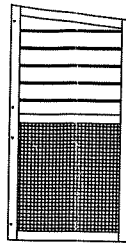
(D)  M3.0X12  
20+1



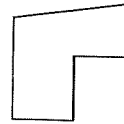
1x bottom back panel



1x left panel



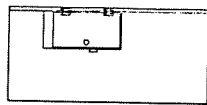
1x right panel



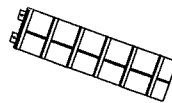
1x partition



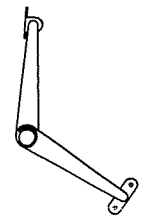
1x roof



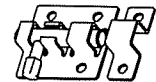
1x shelf



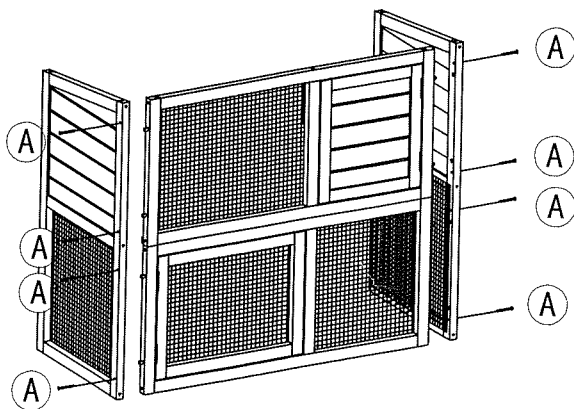
1x ramp



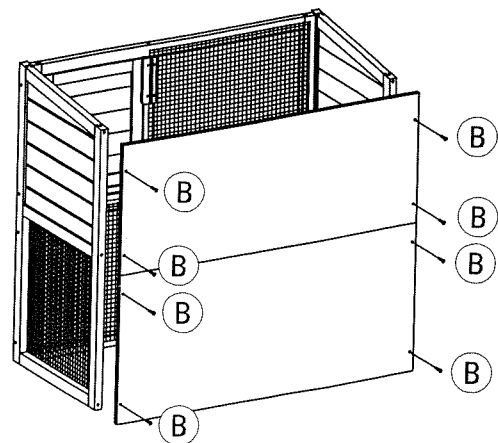
1X hinge



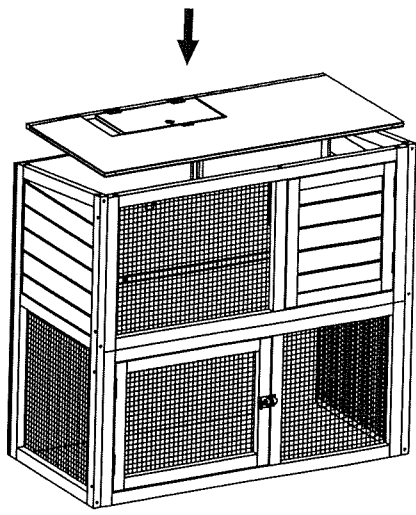
2x metal latch



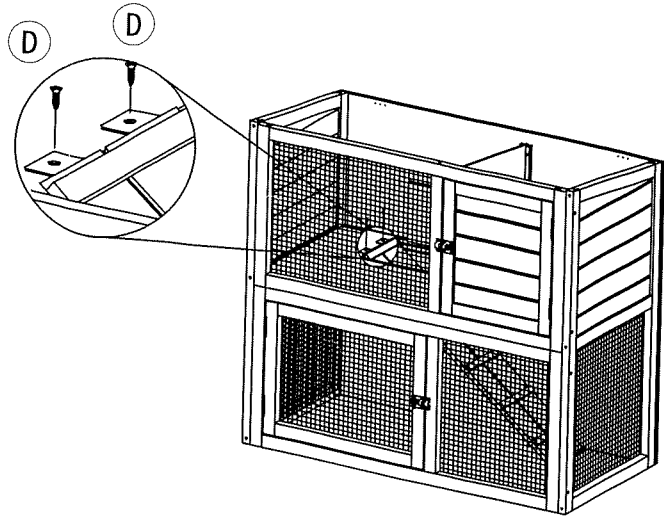
1. Connect the top and bottom front panels with the two side panels.



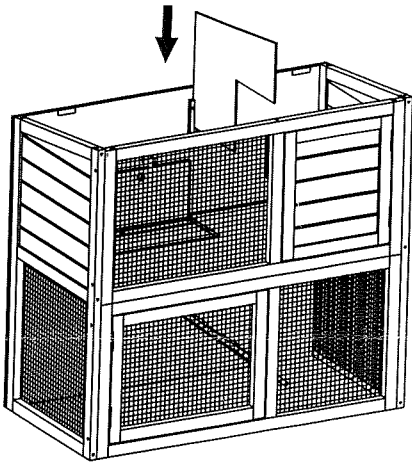
2. Fix the bottom and top back panels.



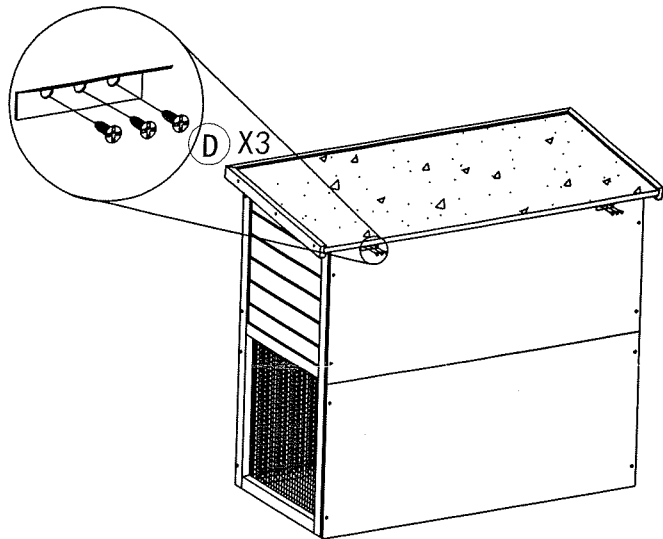
3. Insert the shelf.



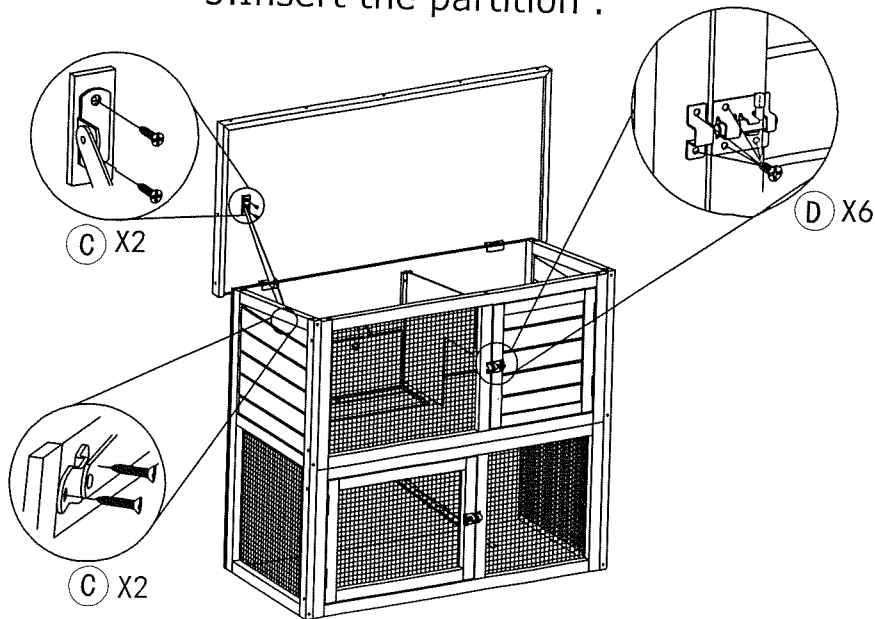
4. Insert the ramp.



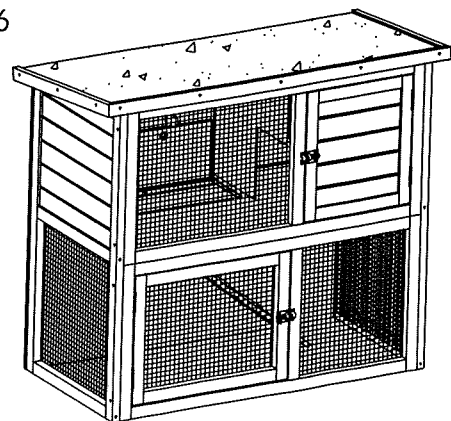
5. Insert the partition .



6. Fix the roof.



7. Fix the metal latch and the left hinge.



8. Finish.