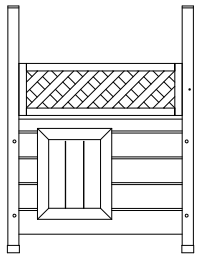




Kattenhuis Claire Assembly Instructions

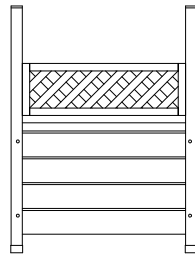
contents box 1



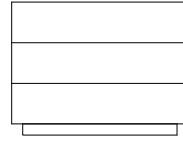
①



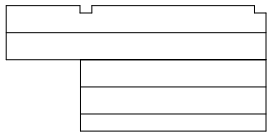
②



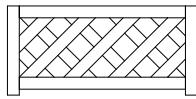
③



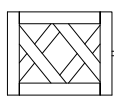
④



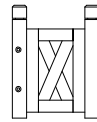
⑤



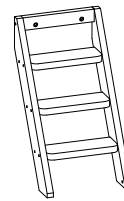
⑥



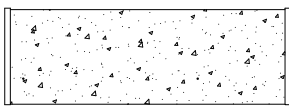
⑦



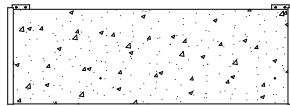
⑧



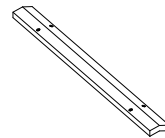
⑨



⑩





⑪

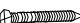


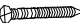
⑫

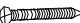
contents box 1


A  M6X45=8+1 Stück

B  M3.5X45=3+1 Stück

C  M3.5X35=2+1 Stück

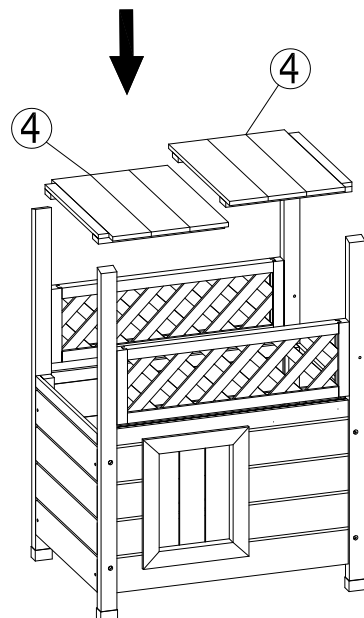
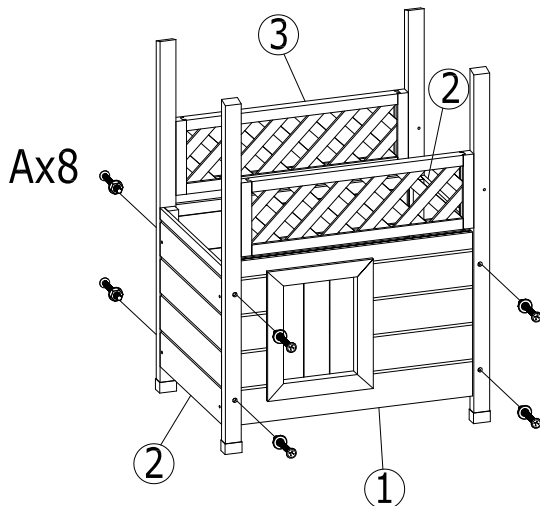
D  M3.5X30=5+1 Stück

E  M3.5X25=8+1 Stück

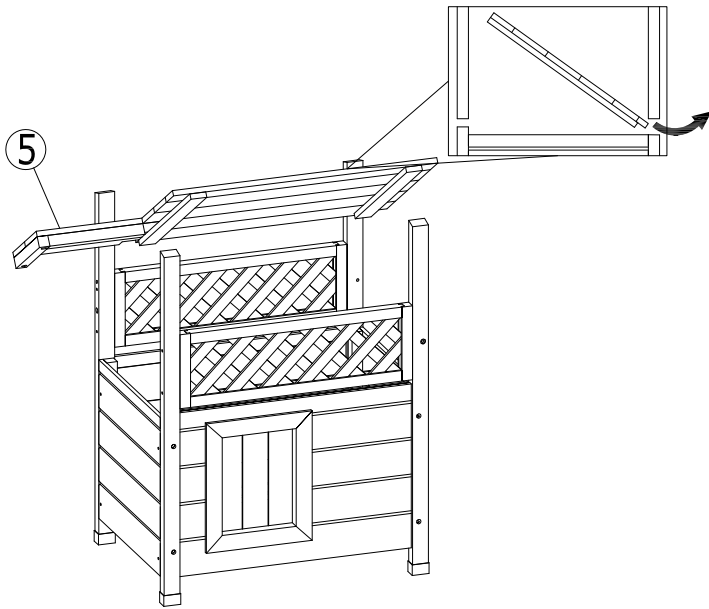
F  M3X12=4+1 Stück

STEP-01

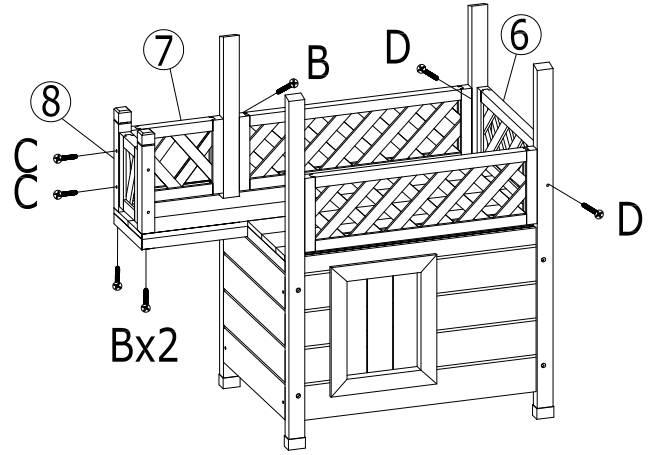
STEP-02



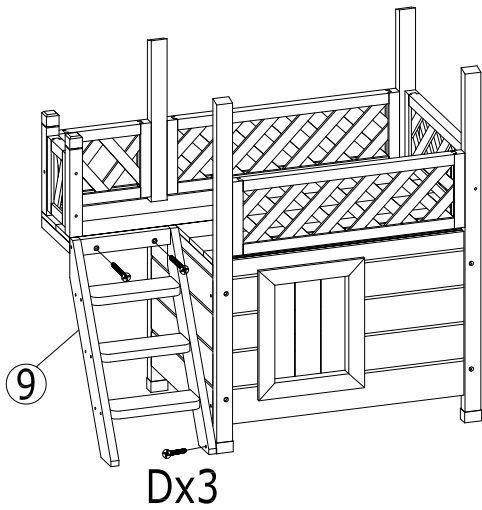
STEP-03



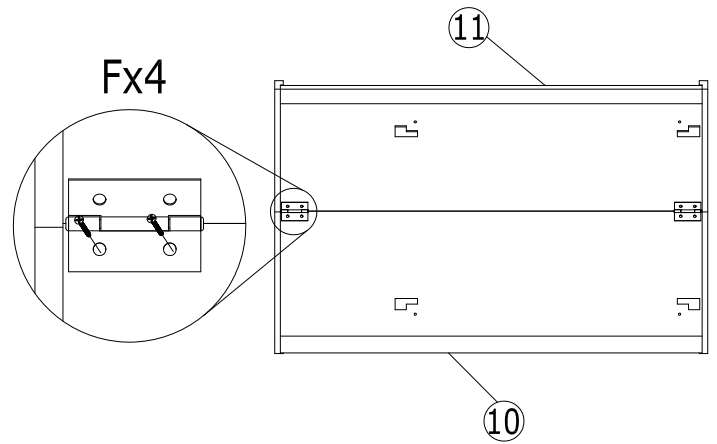
STEP-04



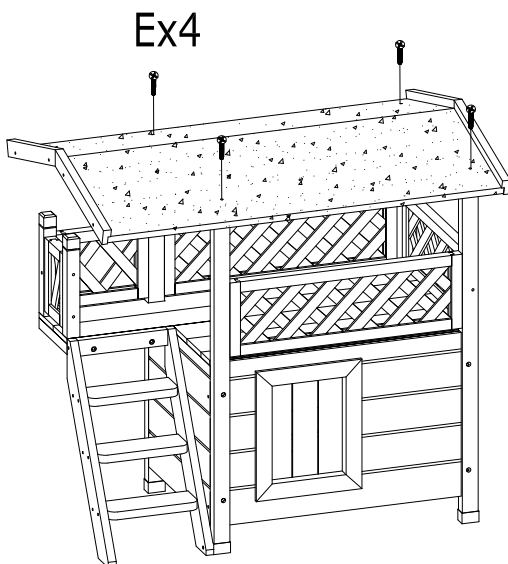
STEP-05



STEP-06



STEP-07



STEP-08

